

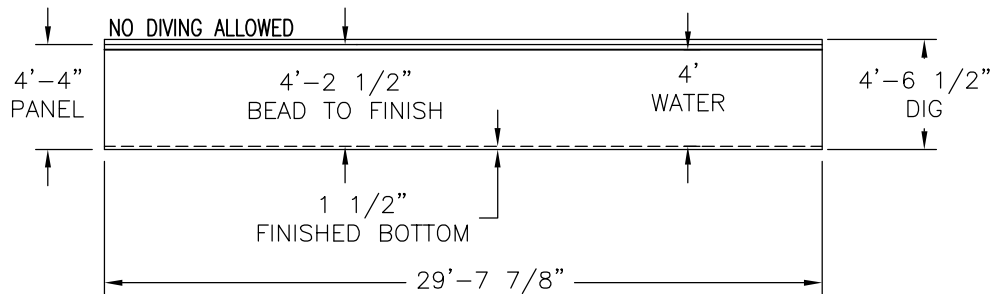
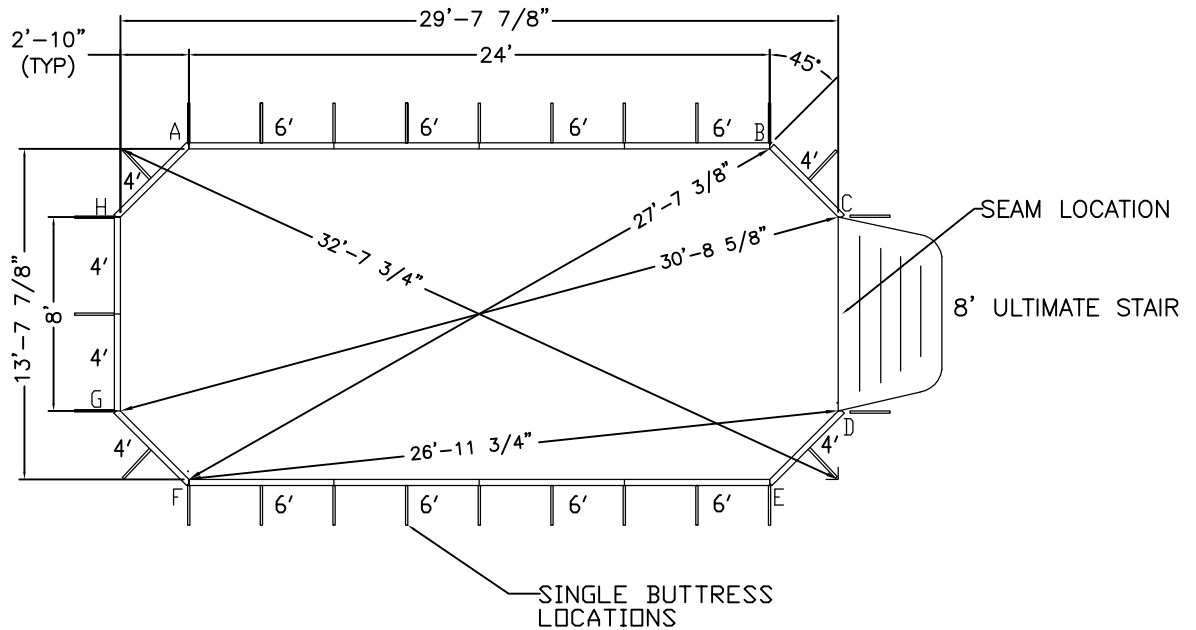


Pool Size: 14' X 30'
Pool Shape: ULTIMATE GRECIAN POOL
Pool Number: 09-20521 1430 W. STAIR

250 Route 61 South, Schuylkill Haven, PA 17972 • 570-385-4733 • fax: 570-385-1318 • CustomerService@CardinalSystemsinc.com

IF USING BENDABLE BULLNOSE
 COPING ADD 3-1/8" TO DIG
 DEPTH. BEAD TO FINISH WILL
 STAY THE SAME.

ENGINEERED TO BE INSTALLED
 ABOVE GROUND, SEMI-INGROUND
 OR INGROUND



LNR PT# W2-1430G
 SNAP-IN CVR PT# W2-236
 SOLAR CVR PT# W20-100

INSTALLATION TO BE IN
 ACCORDANCE WITH CARDINAL
 POOL RECOMMENDATIONS

DRAWING MUST BE APPROVED
 AND SIGNED BEFORE ORDER
 WILL BE PLACED FOR ALL
 SPECIAL ORDERS.

DEALER _____
 LINER CHOICE _____
 DATE _____
 CUSTOMER _____

Date: 6/13/2016

Perimeter: 80'-0"

Drawn By: J.LANDIS

Area: 390 SQ. FT.

Scale: 1/8" = 1'-0"

Notes: 11,600 APPROX. GALLONS



CardinalSystemsinc.com

This Information Is the confidential property of Cardinal Systems, Inc. Disclosure or duplication without proper written approval Is strictly prohibited. Acceptance and use of this drawing constitutes knowledge and acceptance by the user of the terms and conditions set forth In the notice and warning which accompanied this drawing Is Incorporated herein and made part hereof and Is found on Cardinal Systems, Inc's website at www.CardinalSystemsInc.com